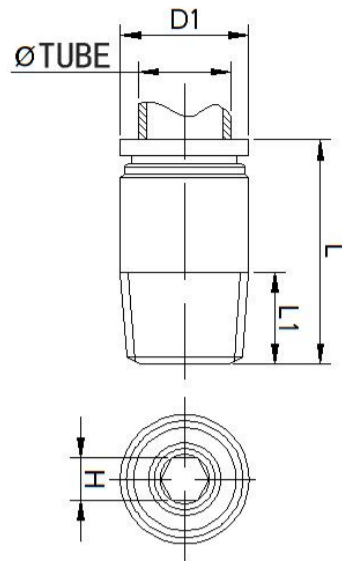


SPOC Internal Hexagon Male Straight - Stainless Steel Push to Connect Fittings



Material: 316 Stainless Steel
Fluid Admitted: Air, Water, Steam, and Other Liquid
Working Pressure: 0~2.0MPa | 0~290psi
Proof Pressure: 3.0Mpa | 435psi
Negative Pressure: -100Kpa | -29.5 In Hg
Working Temperature: 20~150°C | -4~302°F
Applicable Tube: PU / PA / Teflon Tubing
Seal, O-ring: FKM (Viton)

Metric Tubing to R, BSPT Thread Internal Hexagon Male Straight Stainless Steel Push to Connect Fittings

PART NO.	Tube ØD	R	L1(mm)	D1(mm)	L(mm)	H(mm)
SPOC 04-M5	4	M5	4	10.5	24	3
SPOC 04-01	4	R1/8	8	10.5	20	3
SPOC 04-02	4	R1/4	11	10.5	21	3
SPOC 06-M5	6	M5	4	12.5	24	3
SPOC 06-01	6	R1/8	8	12.5	23	4
SPOC 06-02	6	R1/4	11	12.5	23	4
SPOC 06-03	6	R3/8	11	12.5	23	4
SPOC 06-04	6	R1/2	14	12.5	28	4
SPOC 08-01	8	R1/8	8	14.5	25	5
SPOC 08-02	8	R1/4	11	14.5	24	6
SPOC 08-03	8	R3/8	11	14.5	24	6
SPOC 08-04	8	R1/2	14	14.5	28	6
SPOC 10-02	10	R1/4	11	17.5	30	8
SPOC 10-03	10	R3/8	11	17.5	24	8
SPOC 10-04	10	R1/2	14	17.5	28	8
SPOC 12-02	12	R1/4	11	20.5	30	8
SPOC 12-03	12	R3/8	11	20.5	28	10
SPOC 12-04	12	R1/2	14	20.5	28	10
SPOC 14-02	14	R1/4	11	22	31	10
SPOC 14-03	14	R3/8	11	22	28	10
SPOC 14-04	14	R1/2	14	22	28	10
SPOC 16-02	16	R1/4	11	24	32	10
SPOC 16-03	16	R3/8	11	24	32	10
SPOC 16-04	16	R1/2	14	24	32	12

Inch Tubing to R, BSPT Thread Internal Hexagon Male Straight Stainless Steel Push to Connect Fittings

PART NO.	Tube ØD	R	L1(mm)	D1(mm)	L(mm)	H(mm)
SPOC 5/32-M5	5/32"	M5	4	10.5	24	3
SPOC 5/32-01	5/32"	R1/8	8	10.5	20	3
SPOC 5/32-02	5/32"	R1/4	11	10.5	21	3
SPOC 1/4-M5	1/4"	M5	4	12.5	24	3
SPOC 1/4-01	1/4"	R1/8	8	12.5	23	4
SPOC 1/4-02	1/4"	R1/4	11	12.5	23	4
SPOC 1/4-03	1/4"	R3/8	11	12.5	23	4
SPOC 1/4-04	1/4"	R1/2	14	12.5	28	4
SPOC 5/16-01	5/16"	R1/8	8	14.5	25	5
SPOC 5/16-02	5/16"	R1/4	11	14.5	24	6
SPOC 5/16-03	5/16"	R3/8	11	14.5	24	6
SPOC 5/16-04	5/16"	R1/2	14	14.5	28	6
SPOC 3/8-02	3/8"	R1/4	11	17.5	30	8
SPOC 3/8-03	3/8"	R3/8	11	17.5	24	8
SPOC 3/8-04	3/8"	R1/2	14	17.5	28	8
SPOC 1/2-02	1/2"	R1/4	11	20.5	30	8
SPOC 1/2-03	1/2"	R3/8	11	20.5	28	10
SPOC 1/2-04	1/2"	R1/2	14	20.5	28	10

Inch / Metric Tubing to NPT Thread Stainless Steel Push to Connect Fittings

PART NO.	Tube ØD	R	L1(mm)	D1(mm)	L(mm)	H(mm)
SPOC 5/32-U10	5/32"	10-32 UNF	4	10.5	24	3
SPOC 5/32-N01	5/32"	1/8 NPT	8	10.5	20	3
SPOC 5/32-N02	5/32"	1/4 NPT	11	10.5	21	3
SPOC 1/4-U10	1/4"	10-32 UNF	4	12.5	24	3
SPOC 1/4-N01	1/4"	1/8 NPT	8	12.5	23	4
SPOC 1/4-N02	1/4"	1/4 NPT	11	12.5	23	4
SPOC 1/4-N03	1/4"	3/8 NPT	11	12.5	23	4
SPOC 1/4-N04	1/4"	1/2 NPT	14	12.5	28	4
SPOC 5/16-N01	5/16"	1/8 NPT	8	14.5	25	5
SPOC 5/16-N02	5/16"	1/4 NPT	11	14.5	24	6
SPOC 5/16-N03	5/16"	3/8 NPT	11	14.5	24	6
SPOC 5/16-N04	5/16"	1/2 NPT	14	14.5	28	6
SPOC 3/8-N02	3/8"	1/4 NPT	11	17.5	30	8
SPOC 3/8-N03	3/8"	3/8 NPT	11	17.5	24	8
SPOC 3/8-N04	3/8"	1/2 NPT	14	17.5	28	8
SPOC 1/2-N02	1/2"	1/4 NPT	11	20.5	30	8
SPOC 1/2-N03	1/2"	3/8 NPT	11	20.5	28	10
SPOC 1/2-N04	1/2"	1/2 NPT	14	20.5	28	10

Metric Tubing to NPT Thread Internal Hexagon Male Straight Stainless Steel Push to Connect Fittings

SPOC 04-U10	4	10-32 UNF	4	10.5	24	3
SPOC 04-N01	4	1/8 NPT	8	10.5	20	3
SPOC 04-N02	4	1/4 NPT	11	10.5	21	3
SPOC 06-U10	6	10-32 UNF	4	12.5	24	3
SPOC 06-N01	6	1/8 NPT	8	12.5	23	4
SPOC 06-N02	6	1/4 NPT	11	12.5	23	4
SPOC 06-N03	6	3/8 NPT	11	12.5	23	4
SPOC 06-N04	6	1/2 NPT	14	12.5	28	4
SPOC 08-N01	8	1/8 NPT	8	14.5	25	5
SPOC 08-N02	8	1/4 NPT	11	14.5	24	6
SPOC 08-N03	8	3/8 NPT	11	14.5	24	6
SPOC 08-N04	8	1/2 NPT	14	14.5	28	6
SPOC 10-N02	10	1/4 NPT	11	17.5	30	8
SPOC 10-N03	10	3/8 NPT	11	17.5	24	8
SPOC 10-N04	10	1/2 NPT	14	17.5	28	8
SPOC 12-N02	12	1/4 NPT	11	20.5	30	8
SPOC 12-N03	12	3/8 NPT	11	20.5	28	10
SPOC 12-N04	12	1/2 NPT	14	20.5	28	10
SPOC 14-N02	14	1/4 NPT	11	22	31	10
SPOC 14-N03	14	3/8 NPT	11	22	28	10
SPOC 14-N04	14	1/2 NPT	14	22	28	10
SPOC 16-N02	16	1/4 NPT	11	24	32	10
SPOC 16-N03	16	3/8 NPT	11	24	32	10
SPOC 16-N04	16	1/2 NPT	14	24	32	12