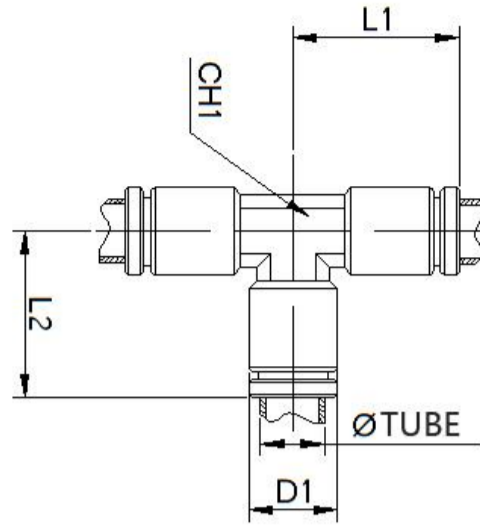


SPE Union Tee - Stainless Steel Push to Connect Fittings



Material: 316 Stainless Steel
Fluid Admitted: Air, Water, Steam, and Other Liquid
Working Pressure: 0~2.0MPa | 0~290psi
Proof Pressure: 3.0Mpa | 435psi
Negative Pressure: -100Kpa | -29.5 In Hg
Working Temperature: 20~150°C | -4~302°F
Applicable Tube: PU / PA / Teflon Tubing
Seal, O-ring: FKM (Viton)

Metric / Inch Tubing Union Tee Stainless Steel Push to Connect Fittings

PART NO.	Tube ØD	L1(mm)	L2(mm)	D1(mm)	CH1(mm)
SPE 04	4	17	17	9	9.2
SPE 06	6	20	20	11	9.2
SPE 08	8	22	22	13.6	11.2
SPE 10	10	27	27	15.6	13.2
SPE 12	12	29	29	18.6	15.5
SPE 14	14	31	31	20.6	20.6
SPE 16	16	35	35	22.6	20.6
SPE 5/32	5/32"	17	17	9	9.2
SPE 1/4	1/4"	20	20	11	9.2
SPE 5/16	5/16"	22	22	13.6	11.2
SPE 3/8	3/8"	27	27	15.6	13.2
SPE 1/2	1/2"	29	29	18.6	15.5